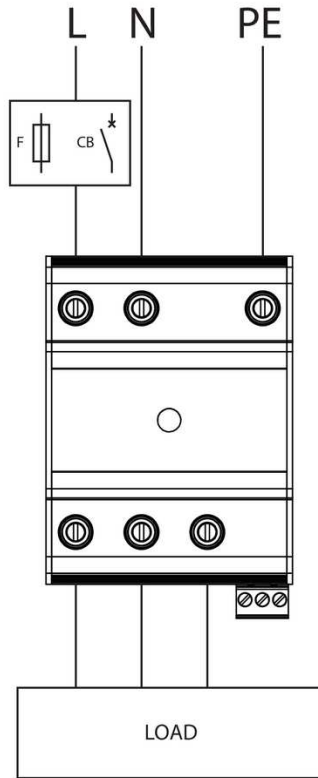


Install Manual

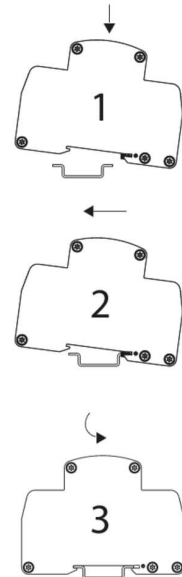
SSP1-20-100-275-A



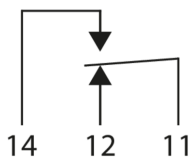
Installation



Mounting



Alarm

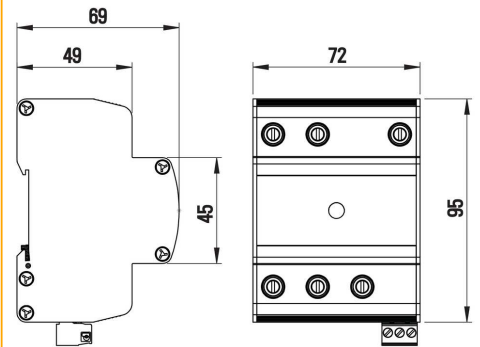


| | |
|--------------|---|
| 11-12 open | ✓ |
| 11-14 closed | ✓ |
| 11-12 closed | ✗ |
| 11-14 open | ✗ |

Terminals

| Terminal Type | | |
|-----------------------|---------------------|---------------------|
| min Capacity | 2.5 mm ² | 0.5 mm ² |
| max Capacity | 16 mm ² | 2.5 mm ² |
| Torque | 2 Nm | 0.6 Nm |
| Wire Stripping Length | | |

Dimensions



Electrical Specifications

| | | |
|-------------------------------|-------------------|-----------------|
| Connection type | | Series |
| Modes of protection | | L-N, L-PE, N-PE |
| Nominal voltage | U ₀ | 230VAC |
| Short circuit withstand level | I _{SSCR} | 25kA |
| Maximum backup fuse | | 20A |
| Earth leakage current | I _{PE} | <10µA |

Mechanical Specifications

| | | |
|-------------------------------|--|---------------|
| Minimum operating temperature | | -40°C |
| Maximum operating temperature | | 70°C |
| Minimum operating humidity | | 5% |
| Maximum operating humidity | | 95% |
| Mounting method | | TS35 DIN Rail |
| Environmental rating | | IP20 |